

# M101S

## 10.1" Rugged Tablet PC



### KEY FEATURES

- 10.1" 1920 x 1200 IPS LED Panel with direct optical bonding
- 7th Gen Intel® Core™ i5 Kaby lake Processor
- Hot-swappable battery design with optional High capacity battery pack
- IP65 water and dust proof with MIL-STD-810G rugged housing
- Sunlight readable with anti-glare solution



### SPECIFICATIONS

| Display                  |  |
|--------------------------|--|
| <b>Resolution</b>        | 1920x1200  |
| <b>Contrast Ratio</b>    | 800:1  |
| <b>View Angles</b>       | 85,85,85,85  |
| <b>Viewability</b>       | Anti-Glare touch treatment   |
| <b>Size</b>              | 10.1 inches  |
| <b>Panel Brightness</b>  | 800 nits   |
| <b>Type</b>              | Projected Capacitive Multi Touch   |
| <b>Bonding</b>           | Optical Bonding for Sunlight Viewability   |
| System Specification     |  |
| <b>Processor</b>         | Intel® Core™ i5-7200U Kaby Lake 2.5GHz (Turbo up to 3.1GHz)<br>Intel® Core™ i5-7300U Kaby Lake 2.60GHz (Turbo up to 3.5GHz) (Optional) |
| <b>Memory</b>            | 4GB DDR4 SDRAM<br>8GB DDR4 SDRAM (Optional)<br>16GB DDR4 SDRAM (Optional)  |
| <b>Storage</b>           | 128GB SSD<br>256GB SSD (Optional)<br>512GB SSD (Optional)<br>Additional storage available with micro SDXC card slot (Optional)         |
| <b>Security</b>          | Password security for user and hard disk lock<br>Trusted Platform Module (TPM) 2.0   |
| <b>Operating System</b>  | Windows 10 IoT Enterprise (64 bit)   |
| <b>WLAN</b>              | 802.11 a/b/g/n/ac  |
| <b>BT</b>                | BT Support   |
| <b>WWAN</b>              | 4G LTE (Optional)  |
| <b>GNSS</b>              | GPS, GLONASS   |
| <b>RFID</b>              | HF RFID 13.56 MHz reader (Optional)  |
| <b>Sensors</b>           | Light sensor/ g-sensor / Gyro / E-compass  |
| Camera                   |  |
| <b>Front Camera</b>      | 2MP Front Camera   |
| <b>Rear Camera</b>       | 8MP Rear Camera with auto-focus and LED light  |
| Mechanical               |  |
| <b>Dimension</b>         | 271.8 x 197.2 x 21 mm (10.7 x 7.76 x 0.83 inches)  |
| <b>Weight</b>            | 1.25 kg (2.75 lbs) with standard battery,<br>1.45 kg (3.2 lbs) with optional high capacity battery                                     |
| <b>Cooling System</b>    | Fan design   |
| IO Ports                 |  |
| <b>USB Port</b>          | 1 x USB 3.0 (Type A), 1 x USB 3.0 (Type C)   |
| <b>SD Card Slot</b>      | 1 x Micro SDXC slot  |
| <b>SIM Card Slot</b>     | 1 x SIM card slot  |
| <b>Video</b>             | 1 x Micro HDMI (Optional)  |
| <b>Audio</b>             | 1 x Audio combo 3.5mm audio combo jack<br>Dual Digital Mic With Noise Cancellation<br>Dual Speaker                                     |
| <b>Indicator</b>         | 4x LED Indicator for Power, Battery, HDD, RF status  |
| <b>Docking Connector</b> | 1 x 19-pin docking connector   |
| Environment              |  |

|                            |                                       |                              |   |
|----------------------------|---------------------------------------|------------------------------|---|
| <b>Operating Humidity</b>  | 10% to 90% RH, non-condensing         | <b>Operating Temperature</b> | -20°C to 60°C (AC mode), -10°C to 50°C (Battery mode) |
| <b>Storage Temperature</b> | -30°C to 70°C (-22°F to 158°F)        | <b>Shock</b>                 | MIL-STD-810G Method 516.6 Procedure I                 |
| <b>Vibration</b>           | MIL-STD-810G Method 514.6 Procedure I | <b>IP rating</b>             | IP65 certified, dustproof and waterproof              |
| <b>Drop</b>                | MIL-STD-810G Method 516.6, 4 ft       |                              |   |

**Certification**

|                      |         |
|----------------------|---------|
| <b>Certification</b> | CE, FCC |
|----------------------|---------|

**Security Function**

|                         |                             |                        |                         |
|-------------------------|-----------------------------|------------------------|-------------------------|
| <b>SOTI MobiControl</b> | SOTI MobiControl Compliance | <b>Kensington Lock</b> | Kensington Lock Support |
|-------------------------|-----------------------------|------------------------|-------------------------|

**Control**

|               |   |
|---------------|---|
| <b>Button</b> | 1 x Power, 1 x Home<br>2 x volume key<br>2 x Programmable function Keys |
|---------------|---|

**Power**

|                     |   |                               |   |
|---------------------|---|-------------------------------|---|
| <b>Battery</b>      | Hot-swappable 7.7V, typ. 5900 mAh Li-Polymer Battery (2S1P)<br>7.4V, typ. 10280 mAh Li-Polymer Battery (2S2P, optional) | <b>Battery Operating Time</b> | Standard. Battery: 8 hours<br>High Capacity Battery: 16 hours |
| <b>Power Rating</b> | 12-19V DC   | <b>Adapter</b>                | 100-240V, 50-60Hz / 19V DC                                    |

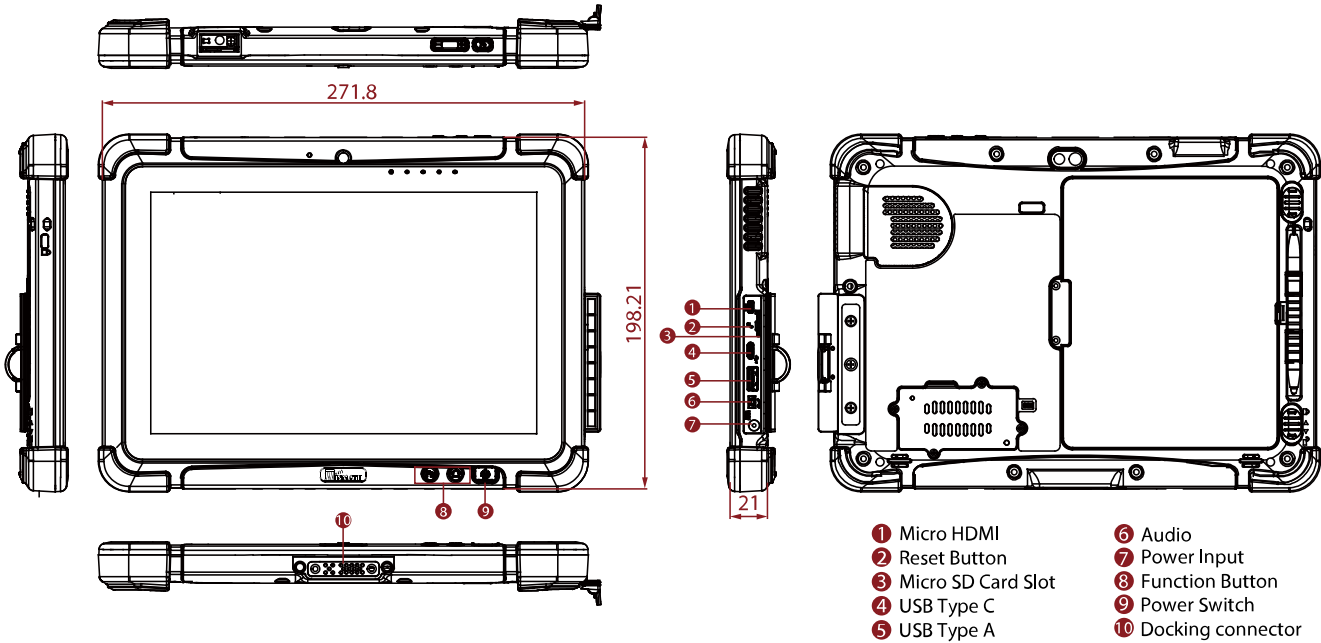
**Accessory**

|                  |   |                           |  |
|------------------|---|---------------------------|--|
| <b>Accessory</b> | Adapter and Power Cord<br>Capacitive Stylus<br>Standard Battery | <b>Optional Accessory</b> | Desk Dock (Optional)<br>Vehicle Dock (without VGA output) (Optional)<br>Vehicle Cradle (Optional)<br>Vehicle Charger (Optional)<br>High Capacity Battery (Optional)<br>Battery Charger (Optional)<br>Hand Strap (Optional)<br>Shoulder Strap (Optional)<br>Carry Bag (Optional)<br>VESA Mount Kit (Optional) |
|------------------|---|---------------------------|--|

**Barcode Scanner**

|                        |                                 |
|------------------------|---------------------------------|
| <b>Barcode Scanner</b> | 1D/2D barcode reader (Optional) |
|------------------------|---------------------------------|

**DIMENSIONS** UNIT:MM



**NOTE**

1. Total usable memory will be less dependent upon actual system configuration.
2. The USB Type-C connector follows USB 3.0 standard, which does not support Alternate Mode (ALT) or USB Power Delivery (USB-PD).
3. TPM 2.0 available upon request.
4. SOTI is available upon request.
5. Measured at dimming LCD brightness. Varies depending on the usage conditions, or when an external device is attached.
6. Length measurements do not include protrusions. Weight varies with options and active pen.
7. The product shown in this datasheet is a standard model. For diagrams that contain customized or optional I/O, please contact the Winmate Sales Team for more information.
8. The drop test with a high-capacity battery must come with a hand strap.
9. Accessories and integrated options may vary depending on your configuration.
10. This is a simplified drawing and some components are not marked in detail.