

# M900P

## 8" Rugged Tablet PC



### KEY FEATURES

- Intel® Pentium® N4200 Apollo Lake processor
- 8" 1280 x 800 IPS LED Panel with direct optical bonding
- Default D-sub for vehicle gateway connection
- IP65 waterproof and dustproof
- Projected Capacitive (P-Cap) multitouch
- USB 3.0 Type A, USB 3.0 Type C connectors



### SPECIFICATIONS

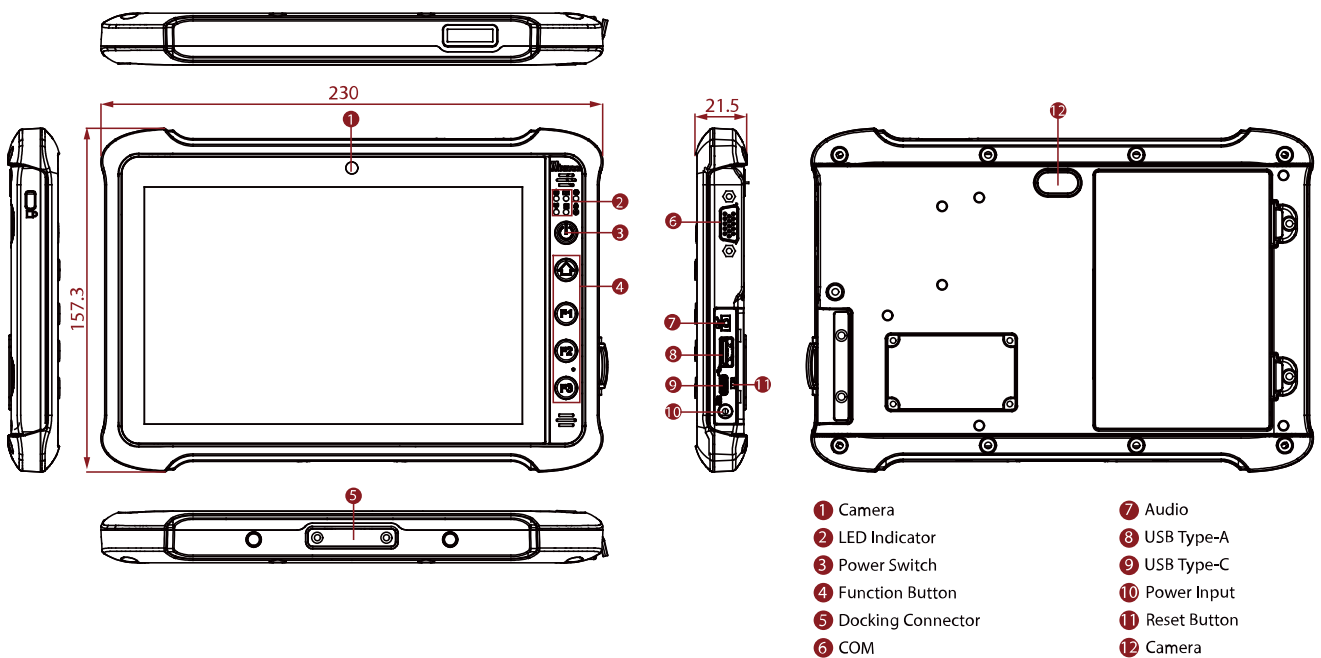
Display			
<b>Resolution</b>	1280x800	<b>Size</b>	8.0 inches
<b>Contrast Ratio</b>	800:1	<b>Panel Brightness</b>	510 nits
<b>View Angles</b>	85/85/85/85	<b>Type</b>	Projected Capacitive Multi Touch
<b>Bonding</b>	Optical Bonding for Sunlight Viewability		
System Specification			
<b>Processor</b>	Intel Pentium N4200 Processor 1.10 GHz, up to 2.50 GHz with turbo boost technology	<b>Memory</b>	4GB LPDDR4 8GB LPDDR4 (Optional)
<b>Storage</b>	64GB SSD 128GB SSD (Optional) 256GB SSD (Optional) 512GB SSD (Optional)	<b>Security</b>	Trusted Platform Module (TPM) 2.0
<b>Operating System</b>	Windows 10 IoT Enterprise (64 bit)	<b>WLAN</b>	802.11 a/b/g/n/ac
<b>BT</b>	BT Support	<b>WWAN</b>	4G LTE (Optional)
<b>GNSS</b>	GPS, GLONASS	<b>RFID</b>	Mutually Exclusive with Barcode Reader HF RFID Reader 13.56 MHz (Optional) LF RFID Reader 125 KHz (Optional)
<b>Sensors</b>	Light sensor/ g-sensor / Gyro / E-compass	<b>Smart Card Reader</b>	Smart Card Reader Comply with ISO7816-1.2.3 T=1 and T=Ø protocol (Optional)
Camera			
<b>Front Camera</b>	2MP Front Camera	<b>Rear Camera</b>	8MP Rear Camera with Autofocus and LED Light
Mechanical			
<b>Dimension</b>	225 x 148 x 20.5 mm ( 10 x 7.76 x 0.8 inches)	<b>Weight</b>	0.9 kg with battery
<b>Cooling System</b>	Fanless design		
IO Ports			
<b>USB Port</b>	1 x USB 3.0 (Type A), 1 x USB 3.0 (Type C)	<b>SD Card Slot</b>	1 x Micro SD Slot
<b>SIM Card Slot</b>	1 x SIM card slot	<b>Audio</b>	1 x Audio combo 3.5mm audio combo jack Dual Digital Mic With Noise Cancellation Dual Speaker
<b>Expansion Port</b>	1 x 15-pin D-sub connector for Power Input, USB 2.0, Audio Out, and Tx/ Rx	<b>Indicator</b>	4x LED Indicator for Power, Battery, HDD, RF status
<b>Docking Connector</b>	1 x 19-pin docking connector		

Environment			
<b>Operating Humidity</b>	10% to 90% RH, non-condensing	<b>Operating Temperature</b>	-20°C to 60°C (AC mode), -10°C to 50°C (Battery mode)
<b>Storage Temperature</b>	-30°C to 70°C (-22°F to 158°F)	<b>Shock</b>	MIL-STD-810G Method 516.6 Procedure I
<b>Vibration</b>	MIL-STD-810G Method 514.6 Procedure I	<b>IP rating</b>	IP65 certified, dustproof and waterproof
<b>Drop</b>	MIL-STD-810G Method 516.6, 5 ft		
Certification			
<b>Certification</b>	CE, FCC, E-Mark		
Security Function			
<b>SOTI MobiControl</b>	SOTI MobiControl Compliance		
Control			
<b>Button</b>	1 x Power, 1 x menu, 3 x Programmable Function Keys		
Power			
<b>Battery</b>	7.6V, typ. 4200 mAh Li Polymer Battery (2S2P)	<b>Battery Operating Time</b>	8 Hours
<b>Power Rating</b>	19V DC , 3.42A	<b>Adapter</b>	100-240V, 50-60Hz / 19V DC
Accessory			
<b>Accessory</b>	Adapter and Power Cord Standard Battery Pack Vehicle Charger	<b>Optional Accessory</b>	Desk Dock Vehicle Dock Vehicle Gateway Vehicle Cradle Battery Charger Hand Strap Capacitive Stylus

### Barcode Scanner

<b>Barcode Scanner</b>	1D/2D barcode reader (Optional)
------------------------	---------------------------------

### DIMENSIONS UNIT:MM



### NOTE

1. Measured at dimming LCD brightness. Varies depending on the usage conditions, or when an external device is attached.
2. Total usable memory will be less dependent upon actual system configuration.
3. The USB Type-C connector follows USB 3.0 standard, which does not support Alternate Mode (ALT) or USB Power Delivery (USB-PD).

4. Barcode Reader and RFID Scanner are mutually exclusive options.
5. Length measurements do not include protrusions. Weight varies with options.
6. Measured at dimming LCD brightness. Varies depending on the usage conditions, or when an external device is attached.
7. Accessories and Integrated Options may vary depending on your configuration.
8. This is a simplified drawing and some components are not marked in detail.
9. The product shown in this datasheet is a standard model. For diagrams that contain customized or optional I/O, please contact the Winmate Sales Team for more information.