

R19L100-PPM1-H

19" SXGA H Series Industrial Panel Mount Monitor (PCAP)



KEY FEATURES

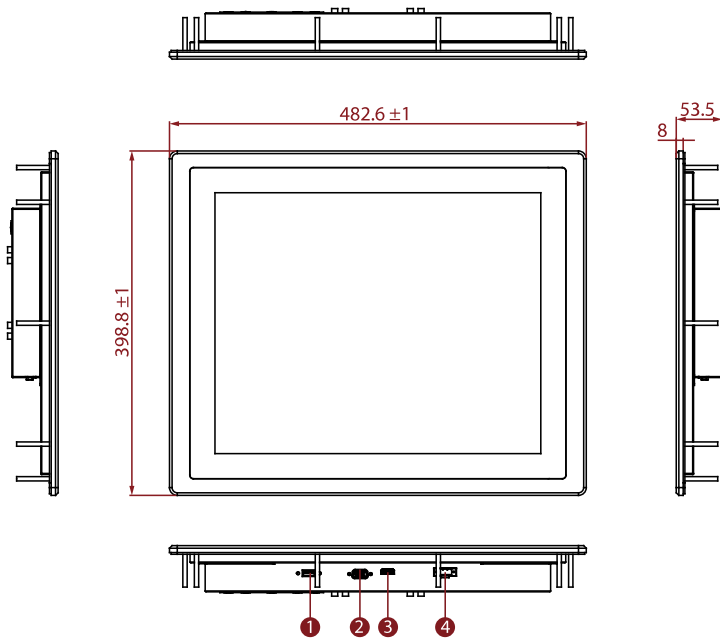
- 19" 1280 x 1024 PCAP touchscreen for Automation industry
- Aluminum steel bezel
- industrial display, industrial grade display, industrial monitor, panel mount monitor
- IP65 standards
- Touch Screen (PCAP)



SPECIFICATIONS

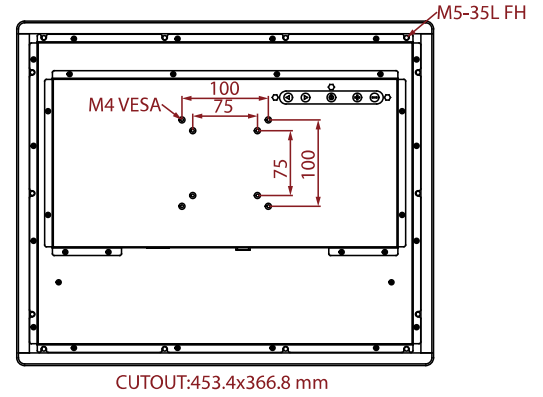
Display	
Resolution	1280x1024
Contrast Ratio	1000:1
Display Color	16.7M Colors
Touch / Glass	Projected Capacitive Multi Touch Screen
Size	19.0 inches
Panel Brightness	250 nits
View Angles	85,85,80,80
Mechanical	
Dimension	482.6 x 398.8 x 57.5 mm
Enclosure	Metal Housing with Aluminum Bezel 8mm
Cut out	453.4 x 366.8 mm
Mounting	VESA Mount/ Panel Mount
Cooling System	Fanless Design
Certification	
Certification	CE, FCC
Environment	
Operating Humidity	10% to 90% (non-condensing)
Storage Temperature	-10~60°C
Operating Temperature	0~50°C
IO Ports	
USB Port	1 x USB for Touch Screen
Video	1 x VGA 1 x HDMI (Optional)
Control	
Button	5 Keys: -, +, Power, Esc, Enter
Power	
Power Rating	9V~36V DC In Terminal Block
Accessory	
Accessory	M5 Nuts and Screws for panel mount 3 Pin Terminal Block User Manual VGA Cable
Optional Accessory	Adapter (Optional) Power converter cable (Optional) HDMI Cable (Optional)

DIMENSIONS UNIT:MM

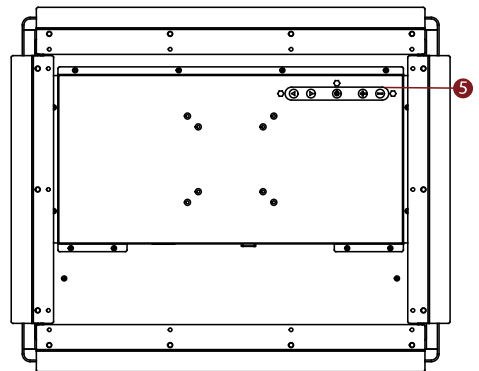


- ① USB
- ② VGA
- ③ HDMI
- ④ Power input
- ⑤ OSD Control Panel

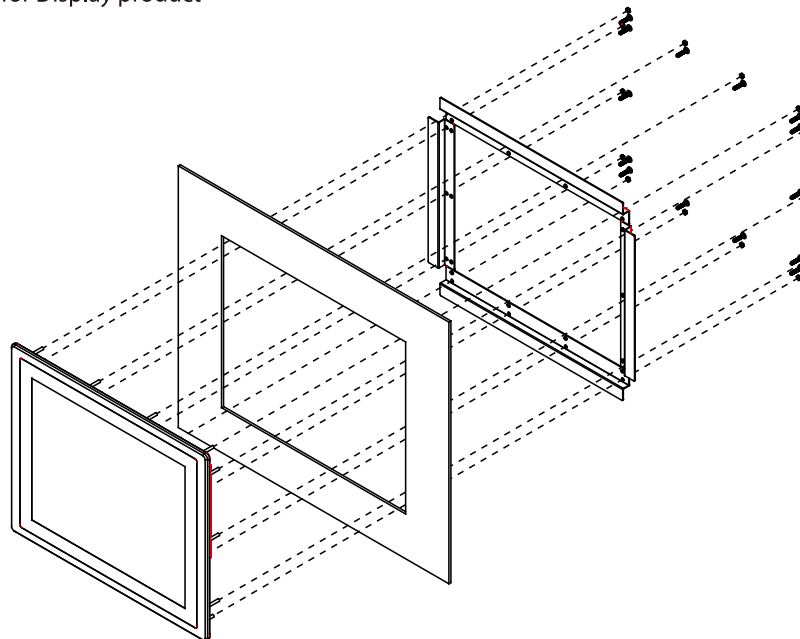
Display product with VESA mounting



Display product with mounting bracket guarantees equal pressure around entire perimeter



The installation way for Display product



NOTE

1. This is a simplified drawing and some components are not marked in detail.
2. Please contact our sales representative if you need further product information.
3. All specifications are subject to change without prior notice.

