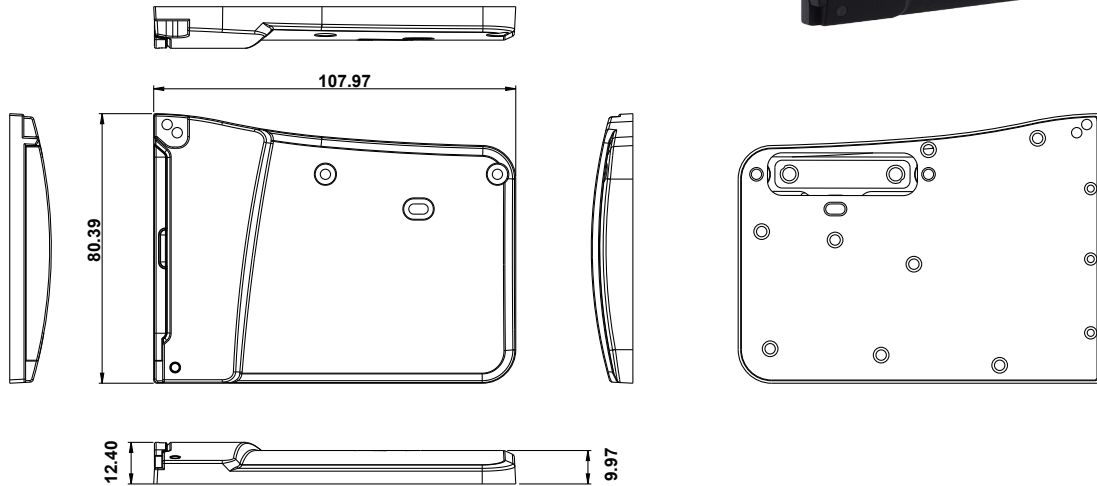


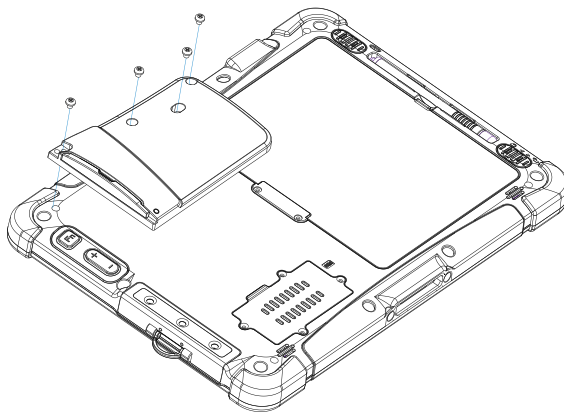
Product Features

- Compliant to ISO 7816 part 1,2 and 3
- Support ISO 7816 T=0, T=1 smart card
- EMV Level 1 Compliant
- LED Indicator for Smart Card Reader status
- Easy to install and operate
- I/O cover protecting from water spray and dust

Mechanical Drawing



Installation Scenarios:



1. Remove expansion port cover from the rear side of M101 Tablet PC.
2. Align the Pogo Pin on SC-M101 to the expansion port of M101 Tablet PC; screw to fix the module on tablet.
3. Turn on the power of SC-M101 through Hottab utility (Extend_USB).
4. Install the driver and utility needed.

Specification

Tag / Transponder Protocols	
Compliant IC Card Standard	Comply with ISO7816 -1,2,3 T=1 and T=0 protocol.
Environment & Mechanical	
Dimension	107.97 x 80.39 x 12.40 mm
Operating Temp.	0°C to +60°C
Storage Temp.	-35°C to +70°C

Ordering information

Model No.	Part Number
SC-M101	98K000A0003U