

Vehicle Dock for M101B/P

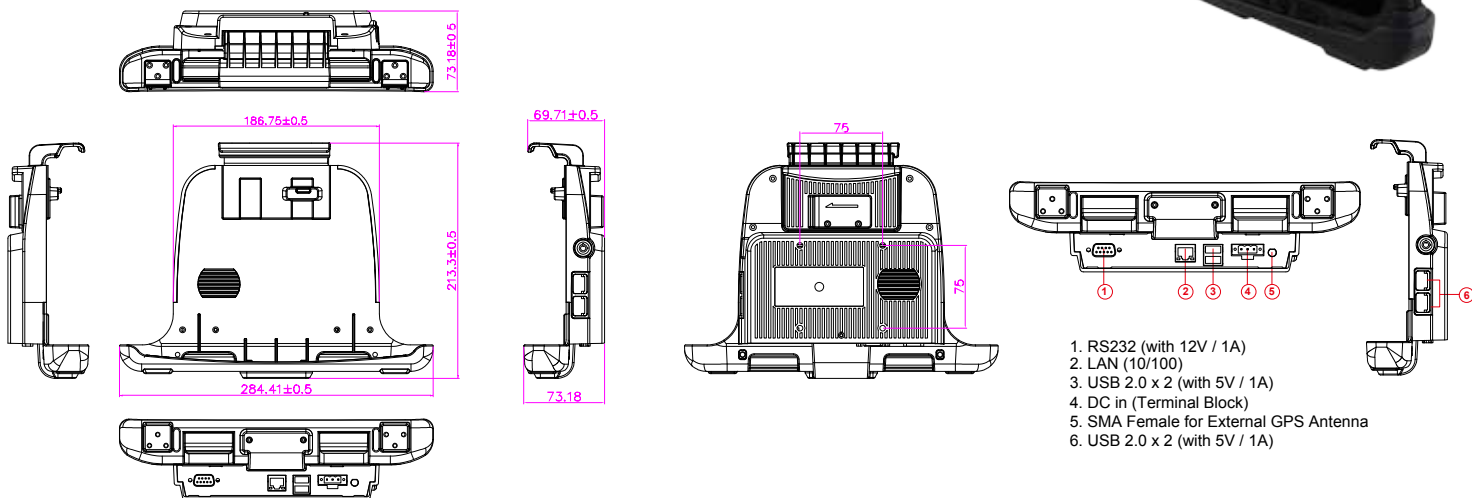
VD-M101B

Product Features:

- Hold the tablet stably on moving vehicle
- Anti-theft design with key lockable cradle
- Wide power voltage input (9~36V DC-in)
- IP52 design (Rain proof)
- VESA standard for various standard fixtures
- SMA connector (Female) for external GPS antenna



Mechanical Drawing



One hand docking :



- 1 Insert the Tablet PC into the docking
2. Push down the hook, the lock will lock automatically

One hand undocking :



1. Slide the latch to open the hook
2. Remove the Tablet from docking

Specification

| | | |
|-------------|--------|--|
| Dimension | | 284.41 x 213.3 x 73.18 mm |
| Power Input | | 9~36V DC In |
| I/O Support | Bottom | RS232 x 1, USB 2.0 x 2, LAN x 1 SMA Female x 1 (for external GPS antenna) 3-Pin Terminal Block x 1 (DC IN) |
| | Side | USB 2.0 x 2 |
| Mounting | | 75 x 75mm VESA Mount |
| Vibration | | MIL STD. 810G, 5 ~ 500Hz, 2.24G |